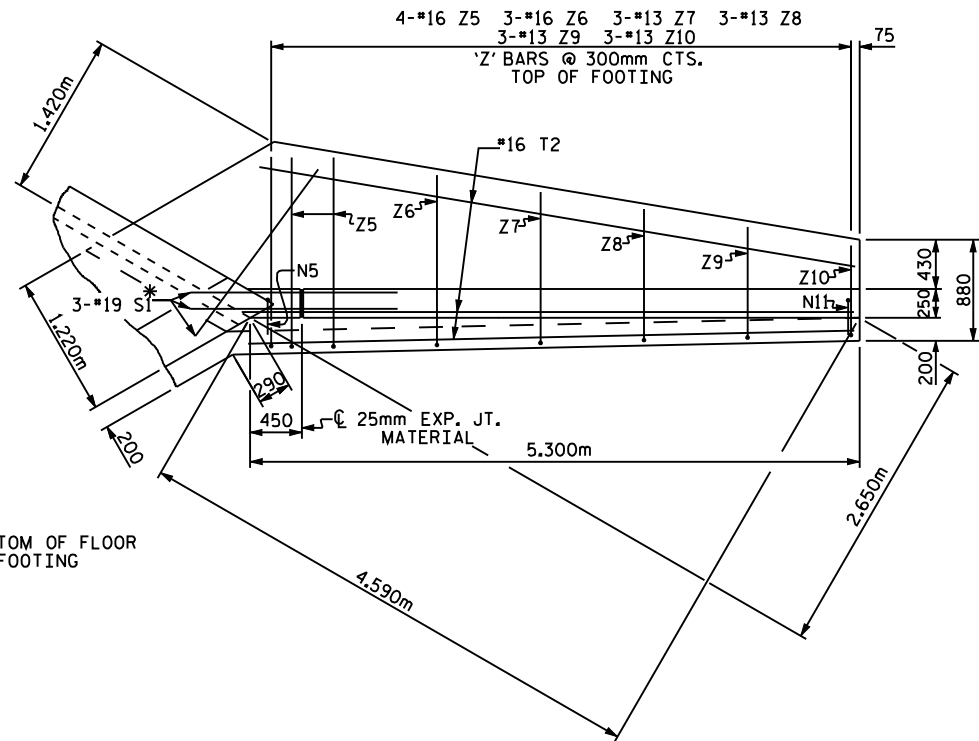
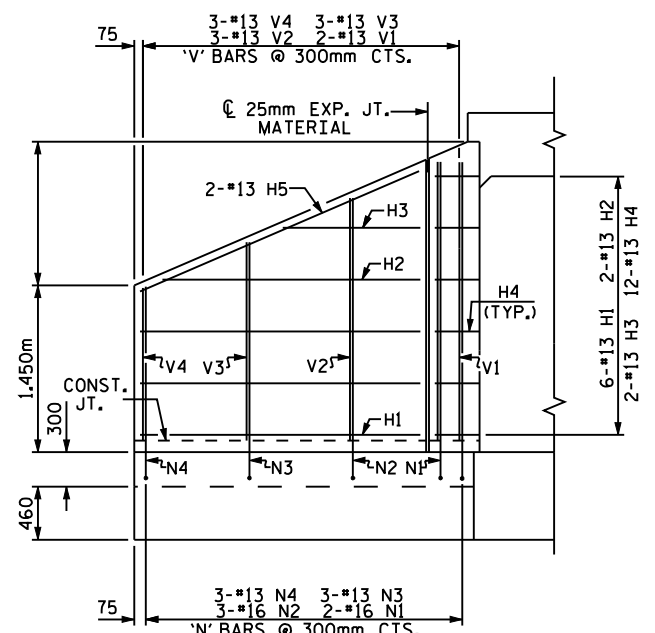


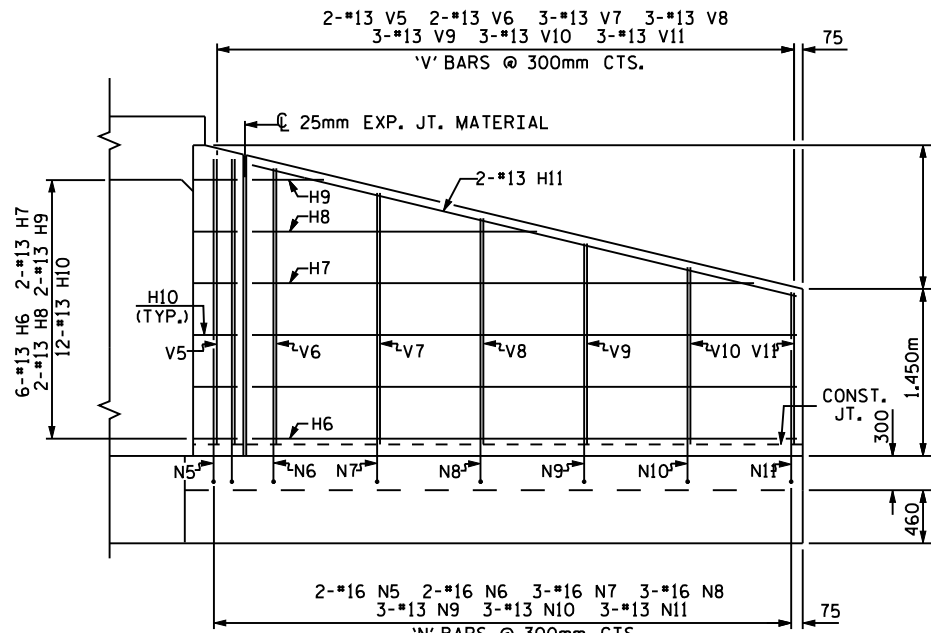
PLAN W2



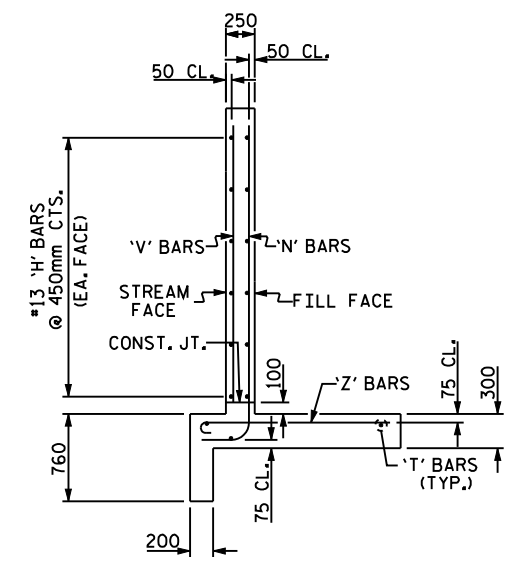
PLAN W1



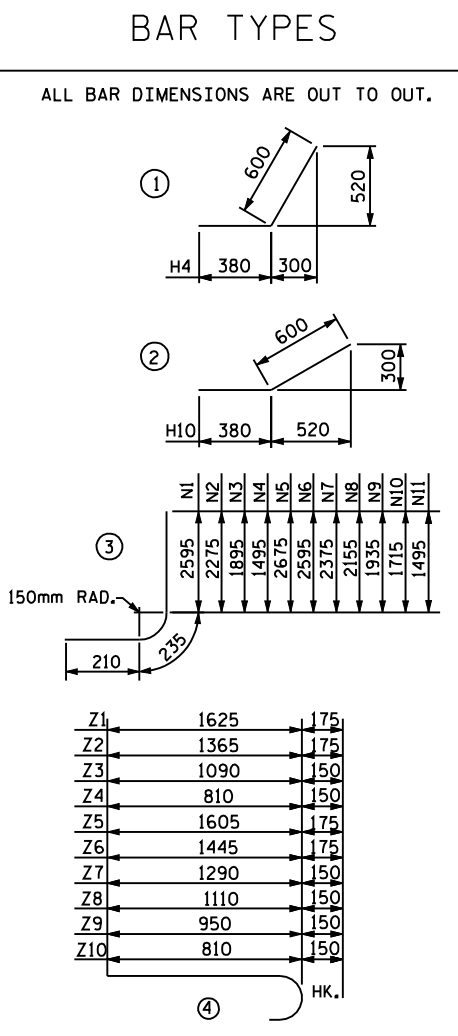
ELEVATION W2



ELEVATION W1



TYPICAL WING SECTION



BILL OF MATERIAL					
BAR NO.	SIZE	TYPE	LENGTH	WEIGHT	
H1	12	13	STR	2440	29
H2	4	13	STR	2240	9
H3	4	13	STR	1200	5
H4	24	13	1	980	23
H5	4	13	STR	2640	10
H6	12	13	STR	4740	57
H7	4	13	STR	4460	18
H8	4	13	STR	2600	10
H9	4	13	STR	760	3
H10	24	13	2	980	23
H11	4	13	STR	4860	19
N1	4	16	3	3040	19
N2	6	16	3	2720	25
N3	6	13	3	2340	14
N4	6	13	3	1940	12
N5	4	16	3	3120	19
N6	4	16	3	3040	19
N7	6	16	3	2820	26
N8	6	16	3	2600	24
N9	6	13	3	2380	14
N10	6	13	3	2160	13
N11	6	13	3	1940	12
S1	12	19	STR	1800	48
T1	6	16	STR	3000	28
T2	6	16	STR	5300	49
V1	4	13	STR	2420	10
V2	6	13	STR	2100	13
V3	6	13	STR	1720	10
V4	6	13	STR	1320	8
V5	4	13	STR	2500	10
V6	4	13	STR	2420	10
V7	6	13	STR	2200	13
V8	6	13	STR	1980	12
V9	6	13	STR	1760	10
V10	6	13	STR	1540	9
V11	6	13	STR	1320	8
Z1	4	16	4	1800	11
Z2	6	16	4	1540	14
Z3	6	13	4	1240	7
Z4	6	13	4	960	6
Z5	8	16	4	1780	22
Z6	6	16	4	1620	15
Z7	6	13	4	1440	9
Z8	6	13	4	1260	8
Z9	6	13	4	1100	7
Z10	6	13	4	960	6

REINFORCING STEEL FOR 4 WING WALLS	746	kg
CLASS A CONCRETE		
4 WINGS	17.5	m ³
2 HEADWALLS		m ³
2 END CURTAIN WALLS		m ³
TOTAL		m ³

PROJECT NO. _____
 _____ COUNTY
 STATION: _____

SHEET OF
 STATE OF NORTH CAROLINA
 DEPARTMENT OF TRANSPORTATION
 RALEIGH
 STANDARD WINGS
 FOR
 CONCRETE BOX CULVERT
 H=2.400m SLOPE=2:1
 60° OR 120° SKEW

REVISIONS				SHEET NO.	
NO.	BY	DATE	NO.	BY	DATE
1			3		
2			4		

ASSEMBLED BY :	DATE :
CHECKED BY :	DATE :
DRAWN BY : JLR 6/97	
CHECKED BY : VAP 6/97	

FOR WING ORIENTATION, SEE BARREL STANDARD SHEET.